

# CHT-7474 DATASHEET

Revision: 3.9  
10-Dec-23  
(Last Modified Date)

## High-Temperature, Dual D-Flip-Flop

### General Description

The CHT-7474 is a dual positive-edge-triggered D type Flip-flop. Data on the D input is transferred to the output on a rising edge of the clock impulse.

Rn and Sn are asynchronous reset and set. On a low state, they operate on the outputs regardless of the other inputs.

This circuit is designed assuring latchup-free operation for all supply and temperature conditions.

The CHT-7474 can operate with supply voltages from 3.3 to 5V ( $\pm 10\%$ ).

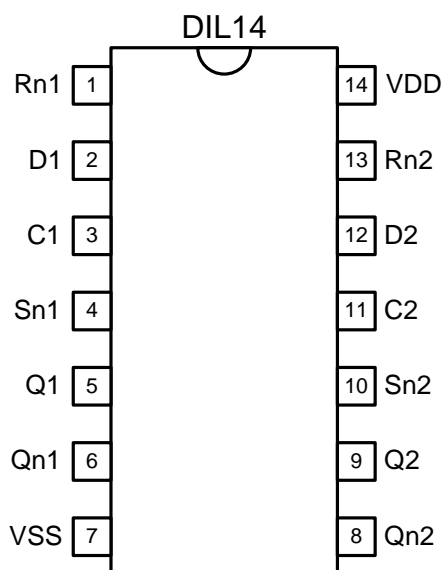
### Features

- Qualified from -55 to +225°C (Tj)
- 3.3 to 5V ( $\pm 10\%$ ) supply voltages
- Latchup-free at any supply and temperature condition
- Validated at 225°C for 30000 hours (CDIL14) and 20000 hours (CSOIC16) (and still on-going)
- Available in DIL14 and CSOIC16 hermetic standard package

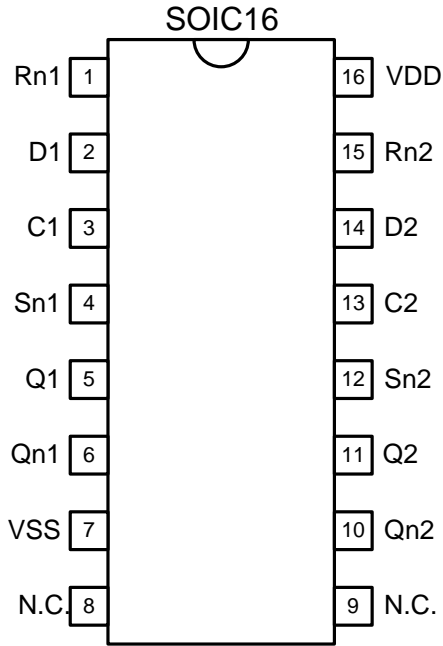
### Applications

- Well logging,
- Automotive, Aeronautics & Aerospace
- Harsh Environments

### Package and Pin Configuration



Pin	Symbol	Description
1	<b>RN1</b>	Reset of D-flip-flop 1
2	<b>D1</b>	Input of D-flip-flop 1
3	<b>C1</b>	Clock pulse of D-flip-flop 1
4	<b>SN1</b>	Set of D-flip-flop 1
5	<b>Q1</b>	Output of D-flip-flop 1
6	<b>QN1</b>	Inverted output of D-flip-flop 1
7	<b>GND</b>	Circuit core ground terminal.
8	<b>QN2</b>	Inverted output of D-flip-flop 2
9	<b>Q2</b>	Output of D-flip-flop 2
10	<b>SN2</b>	Set of D-flip-flop 2
11	<b>C2</b>	Clock pulse of D-flip-flop 2
12	<b>D2</b>	Input of D-flip-flop 2
13	<b>RN2</b>	Reset of D-flip-flop 2
14	<b>VDD</b>	Circuit core power supply terminal.



Pin	Symbol	Description
1	<b>RN1</b>	Reset of D-flip-flop 1
2	<b>D1</b>	Input of D-flip-flop 1
3	<b>C1</b>	Clock pulse of D-flip-flop 1
4	<b>SN1</b>	Set of D-flip-flop 1
5	<b>Q1</b>	Output of D-flip-flop 1
6	<b>QN1</b>	Inverted output of D-flip-flop 1
7	<b>VSS</b>	Circuit core ground terminal.
8	<b>NC</b>	Not connected
9	<b>NC</b>	Not connected
10	<b>QN2</b>	Inverted output of D-flip-flop 2
11	<b>Q2</b>	Output of D-flip-flop 2
12	<b>SN2</b>	Set of D-flip-flop 2
13	<b>C2</b>	Clock pulse of D-flip-flop 2
14	<b>D2</b>	Input of D-flip-flop 2
15	<b>RN2</b>	Reset of D-flip-flop 2
16	<b>VDD</b>	Circuit core power supply terminal.

**Function Table**

INPUT				OUTPUT	
Sn	Rn	C	D	Q	Qn
L	H	X	X	H	L
H	L	X	X	L	H
L	L	X	X	L	X <sup>1</sup>
Sn	Rn	C	D	Q(n+1)	Qn(n+1)
H	H	↑	L	L	H
H	H	↑	H	H	L

<sup>1</sup> Having Sn=Rn=LOW at the same time should be avoided. The only known output is Q.

## Logical Diagram

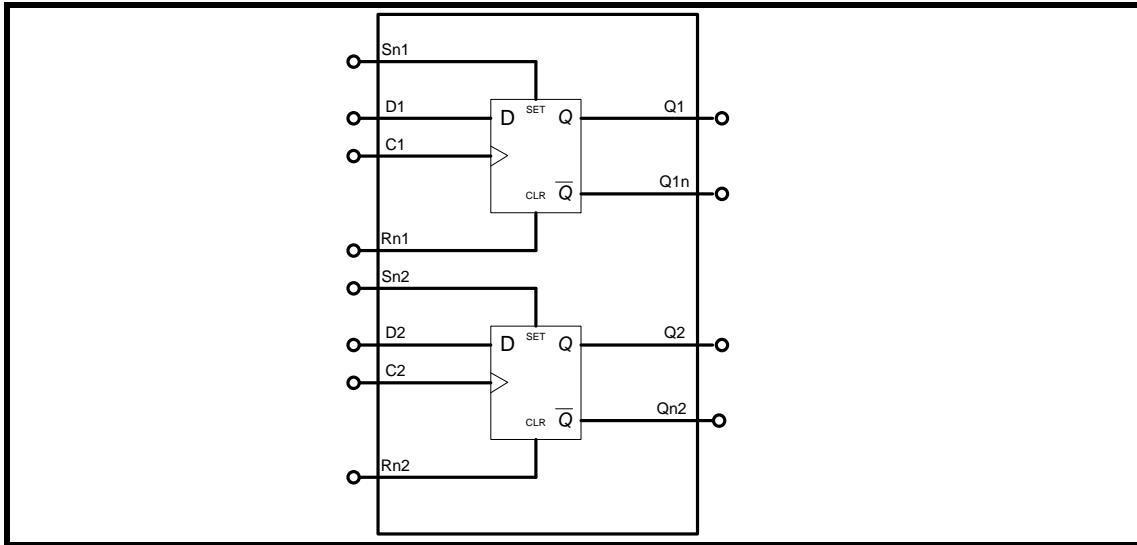


Figure 1. CHT-7474: simplified logical diagram.

**Absolute Maximum Ratings**

Supply Voltage  $V_{DD}$  to GND -0.5 to 6.0V  
Voltage on any Pin to GND -0.5 to  $V_{DD}+0.5V$

**Operating Conditions**

Supply Voltage  $V_{DD}$  to GND 3.3V to 5V ( $\pm 10\%$ )  
Junction temperature -55°C to +225°C

**ESD Rating (expected)**

Human Body Model 1kV

**DC Electrical Characteristics**

Unless otherwise stated:  $V_{DD}=5V$ ,  $T_j=25^\circ C$ . **Bold underlined** figures indicate values valid over the whole temperature range ( $-55^\circ C < T_j < +225^\circ C$ ).

Parameter	Condition	Min	Typ	Max	Units
Supply voltage $V_{DD}$		2.97		5.5V	V
Quiescent current $I_{DD}$	$V_{DD} = 3.3V$ , $T_j = -55^\circ C$			20	nA
	$V_{DD} = 5V$ , $T_j = -55^\circ C$			20	
	$V_{DD} = 3.3V$ , $T_j = 225^\circ C$			<b><u>2650</u></b>	
	$V_{DD} = 5V$ , $T_j = 225^\circ C$			<b><u>3030</u></b>	
Minimum HIGH level output voltage $V_{OH}$	$V_{DD} = 3.3V$ , $I_{OH} < 4mA$ (source)	<b><u>2.7</u></b>	3.04		V
	$V_{DD} = 5V$ , $I_{OH} < 4mA$ (source)	<b><u>4.6</u></b>	4.82		
Maximum LOW level output voltage $V_{OL}$	$V_{DD} = 3.3V$ , $I_{OL} < 4mA$ (sink)		0.28	<b><u>0.5</u></b>	V
	$V_{DD} = 5V$ , $I_{OL} < 4mA$ (sink)		0.20	<b><u>0.4</u></b>	
Minimum HIGH level input voltage $V_{IH}$	$V_{DD} = 3.3V$	<b><u>2.4</u></b>	2.10		V
	$V_{DD} = 5V$	<b><u>3.7</u></b>	3.49		
Maximum LOW level input voltage $V_{IL}$	$V_{DD} = 3.3V$		1.72	<b><u>1.5</u></b>	V
	$V_{DD} = 5V$		2.16	<b><u>2.0</u></b>	
Input leakage current (source / sink) $\pm I_I$	$V_I = V_{CC}$ or GND, $V_{DD} = 3.3V$		$\pm 1$	<b><u><math>\pm 35</math></u></b>	nA
	$V_I = V_{CC}$ or GND, $V_{DD} = 5V$		$\pm 2$	<b><u><math>\pm 37</math></u></b>	

## AC Electrical Characteristics

Unless otherwise stated: VDD=5V, Tj=25°C. **Bold underlined** figures indicate values valid over the whole temperature range (-55°C < Tj < +225°C).

Parameter	Condition	Temperature	Min	Typ	Max	Units
Propagation delay from C to Q, Qn t <sub>PHL</sub>	C <sub>L</sub> =50pF	T <sub>J</sub> =-55°C		12	21	ns
		T <sub>J</sub> =25°C		14	25	
		T <sub>J</sub> =225°C		19	33	
Propagation delay from Rn to Q, Qn t <sub>PHL</sub>	C <sub>L</sub> =50pF	T <sub>J</sub> =-55°C		11	20	ns
		T <sub>J</sub> =25°C		12	21	
		T <sub>J</sub> =225°C		17	30	
Propagation delay from C to Q, Qn t <sub>PLH</sub>	C <sub>L</sub> =50pF	T <sub>J</sub> =-55°C		9	16	ns
		T <sub>J</sub> =25°C		10	18	
		T <sub>J</sub> =225°C		15	27	
Propagation delay from Sn to Q, Qn t <sub>PLH</sub>	C <sub>L</sub> =50pF	T <sub>J</sub> =-55°C		11	20	ns
		T <sub>J</sub> =25°C		12	21	
		T <sub>J</sub> =225°C		18	32	
Output transition time High to Low t <sub>THL</sub>	C <sub>L</sub> =50pF	T <sub>J</sub> =-55°C		13	17	ns
		T <sub>J</sub> =25°C		14	18	
		T <sub>J</sub> =225°C		17	<b><u>22</u></b>	
Output transition time High to Low t <sub>TLH</sub>	C <sub>L</sub> =50pF	T <sub>J</sub> =-55°C		19	25	ns
		T <sub>J</sub> =25°C		20	26	
		T <sub>J</sub> =225°C		23	<b><u>30</u></b>	
Clock pulse width t <sub>w</sub>	C <sub>L</sub> =50pF	T <sub>J</sub> =-55°C	4	2		ns
		T <sub>J</sub> =25°C	4	2		
		T <sub>J</sub> =225°C	<b><u>6</u></b>	3		
Set or reset pulse width t <sub>w</sub>	C <sub>L</sub> =50pF	T <sub>J</sub> =-55°C	4	2		ns
		T <sub>J</sub> =25°C	4	2		
		T <sub>J</sub> =225°C	<b><u>6</u></b>	3		
Removal time set or reset t <sub>rem</sub>	C <sub>L</sub> =50pF	T <sub>J</sub> =-55°C	4	2		ns
		T <sub>J</sub> =25°C	4	2		
		T <sub>J</sub> =225°C	<b><u>6</u></b>	3		
Set-up time D to C t <sub>su</sub>	C <sub>L</sub> =50pF	T <sub>J</sub> =-55°C	2	1		ns
		T <sub>J</sub> =25°C	2	1		
		T <sub>J</sub> =225°C	<b><u>2</u></b>	1		
Hold time C to D t <sub>h</sub>	C <sub>L</sub> =50pF	T <sub>J</sub> =-55°C	<b><u>2</u></b>	1		ns
		T <sub>J</sub> =25°C	2	1		
		T <sub>J</sub> =225°C	2	1		
Maximum clock pulse frequency f <sub>max</sub>	C <sub>L</sub> =50pF	T <sub>J</sub> =-55°C	31	63		MHz
		T <sub>J</sub> =25°C	27	55		
		T <sub>J</sub> =225°C	21	40		

## AC Electrical Characteristics (cntd)

Unless otherwise stated: VDD=3.3V, T<sub>j</sub>=25°C. **Bold underlined** figures indicate values valid over the whole temperature range (-55°C < T<sub>j</sub> < +225°C).

Parameter	Condition	Temperature	Min	Typ	Max	Units
Propagation delay from C to Q, Qn t <sub>PHL</sub>	C <sub>L</sub> =50pF	T <sub>j</sub> =-55°C		23	40	ns
		T <sub>j</sub> =25°C		26	45	
		T <sub>j</sub> =225°C		35	61	
Propagation delay from Rn to Q, Qn t <sub>PHL</sub>	C <sub>L</sub> =50pF	T <sub>j</sub> =-55°C		21	37	ns
		T <sub>j</sub> =25°C		23	40	
		T <sub>j</sub> =225°C		31	54	
Propagation delay from C to Q, Qn t <sub>PLH</sub>	C <sub>L</sub> =50pF	T <sub>j</sub> =-55°C		17	30	ns
		T <sub>j</sub> =25°C		20	35	
		T <sub>j</sub> =225°C		26	45	
Propagation delay from Sn to Q, Qn t <sub>PLH</sub>	C <sub>L</sub> =50pF	T <sub>j</sub> =-55°C		21	37	ns
		T <sub>j</sub> =25°C		24	42	
		T <sub>j</sub> =225°C		32	55	
Output transition time High to Low t <sub>THL</sub>	C <sub>L</sub> =50pF	T <sub>j</sub> =-55°C		20	26	ns
		T <sub>j</sub> =25°C		21	28	
		T <sub>j</sub> =225°C		27	<b><u>36</u></b>	
Output transition time Low to High t <sub>TLH</sub>	C <sub>L</sub> =50pF	T <sub>j</sub> =-55°C		23	30	ns
		T <sub>j</sub> =25°C		24	32	
		T <sub>j</sub> =225°C		26	<b><u>34</u></b>	
Clock pulse width t <sub>w</sub>	C <sub>L</sub> =50pF	T <sub>j</sub> =-55°C	6	3		ns
		T <sub>j</sub> =25°C	8	4		
		T <sub>j</sub> =225°C	<b><u>10</u></b>	5		
Set or reset pulse width t <sub>w</sub>	C <sub>L</sub> =50pF	T <sub>j</sub> =-55°C	6	3		ns
		T <sub>j</sub> =25°C	8	4		
		T <sub>j</sub> =225°C	<b><u>10</u></b>	5		
Removal time set or reset t <sub>rem</sub>	C <sub>L</sub> =50pF	T <sub>j</sub> =-55°C	6	3		ns
		T <sub>j</sub> =25°C	6	3		
		T <sub>j</sub> =225°C	<b><u>8</u></b>	4		
Set-up time D to C t <sub>su</sub>	C <sub>L</sub> =50pF	T <sub>j</sub> =-55°C	4	2		ns
		T <sub>j</sub> =25°C	4	2		
		T <sub>j</sub> =225°C	<b><u>4</u></b>	2		
Hold time C to D t <sub>h</sub>	C <sub>L</sub> =50pF	T <sub>j</sub> =-55°C	<b><u>2</u></b>	-1		ns
		T <sub>j</sub> =25°C	2	-1		
		T <sub>j</sub> =225°C	2	-2		
Maximum clock pulse frequency f <sub>max</sub>	C <sub>L</sub> =50pF	T <sub>j</sub> =-55°C	18	35		MHz
		T <sub>j</sub> =25°C	16	31		
		T <sub>j</sub> =225°C	<b><u>12</u></b>	24		

### AC Waveforms

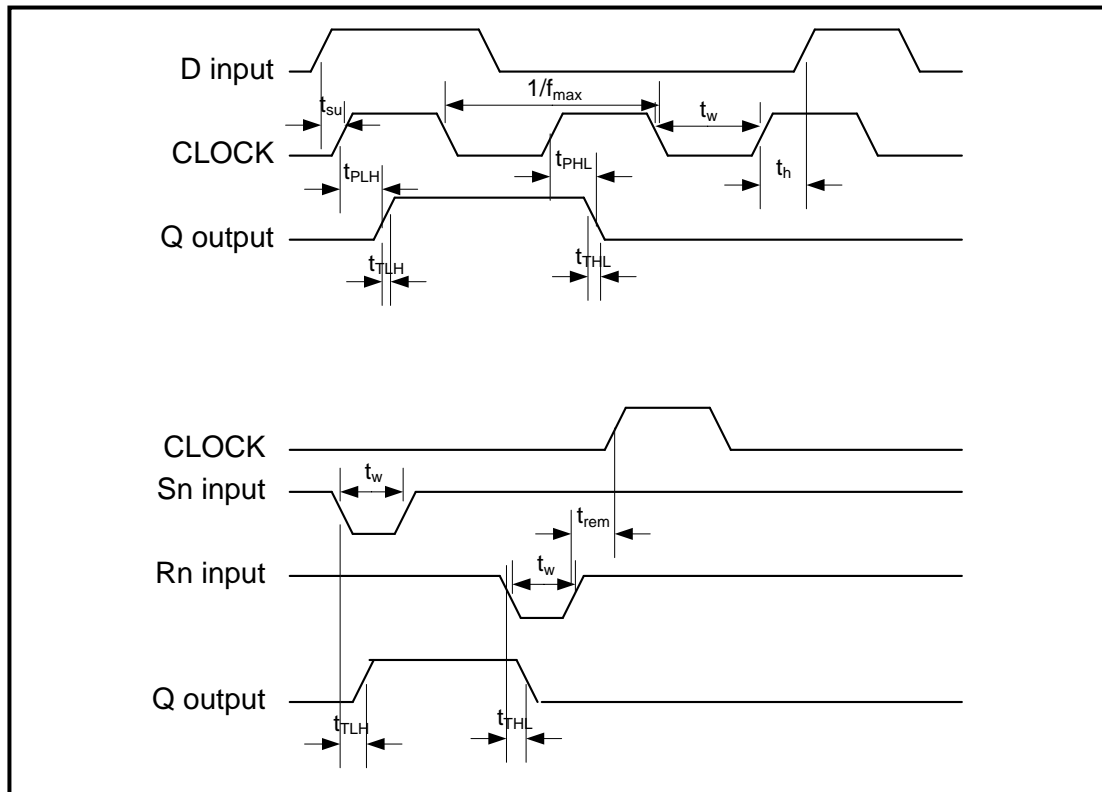
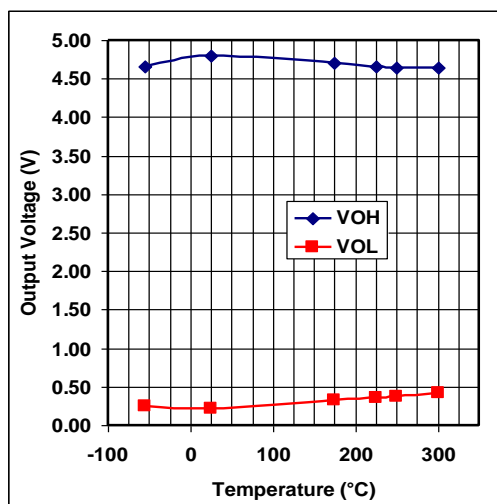
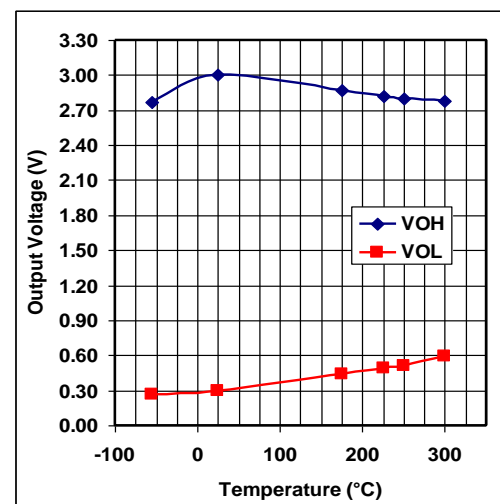


Figure 2. AC Waveforms

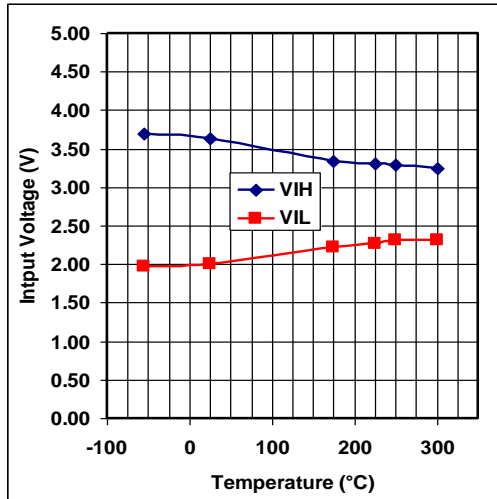
### Typical Performance Characteristics



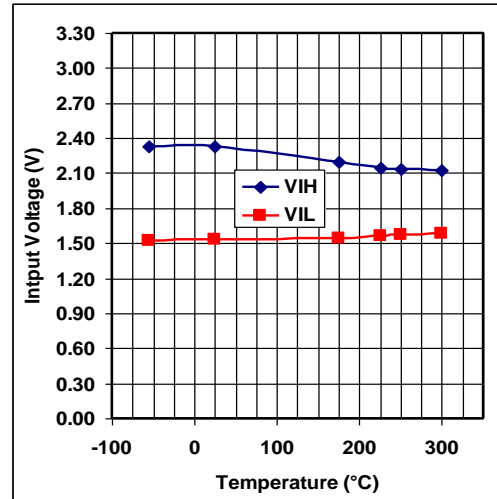
Output voltage levels versus temperature,  $V_{DD} = 5V$



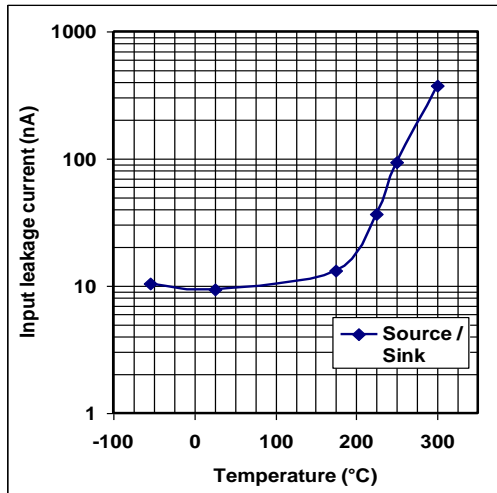
Output voltage levels versus temperature,  $V_{DD} = 3.3V$



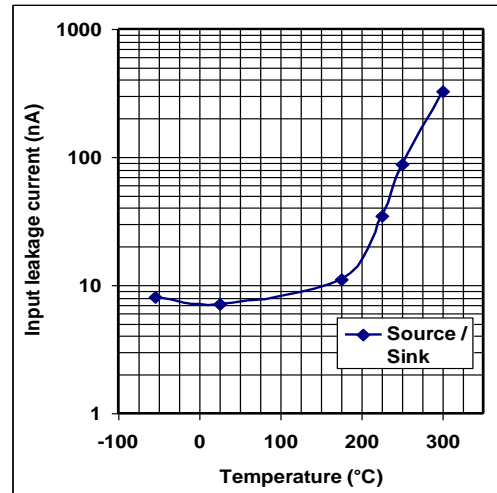
Input voltage levels versus temperature,  
V<sub>DD</sub> = 5V



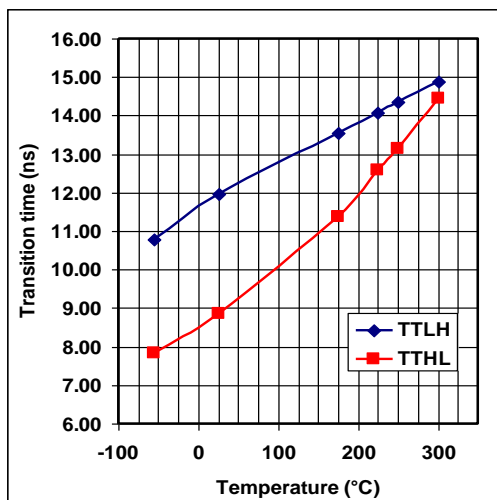
Input voltage levels versus temperature,  
V<sub>DD</sub> = 3.3V



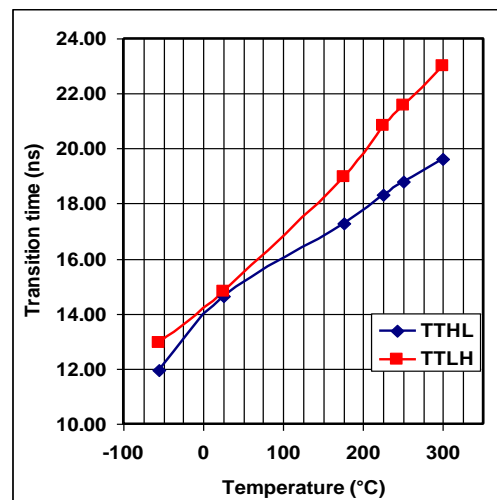
Input leakage current versus temperature,  
V<sub>DD</sub> = 5V



Input leakage current versus temperature,  
V<sub>DD</sub> = 3.3V

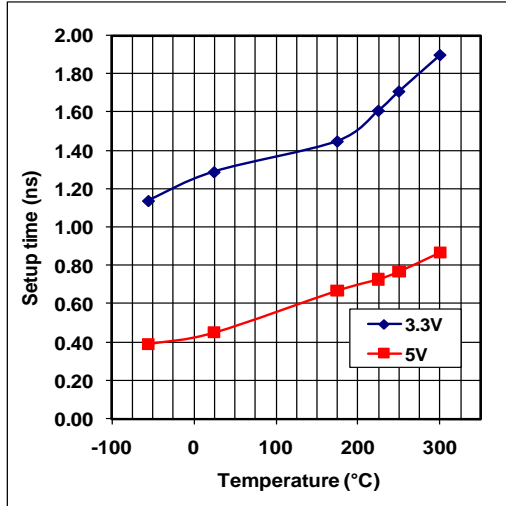


Transition times versus temperature,  
V<sub>DD</sub> = 5V

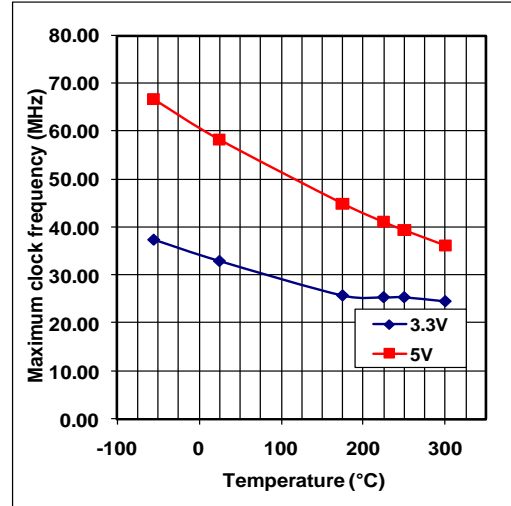


Transition times versus temperature,  
V<sub>DD</sub> = 3.3V





Setup time versus temperature,  
 $V_{DD} = 3.3V / 5V$

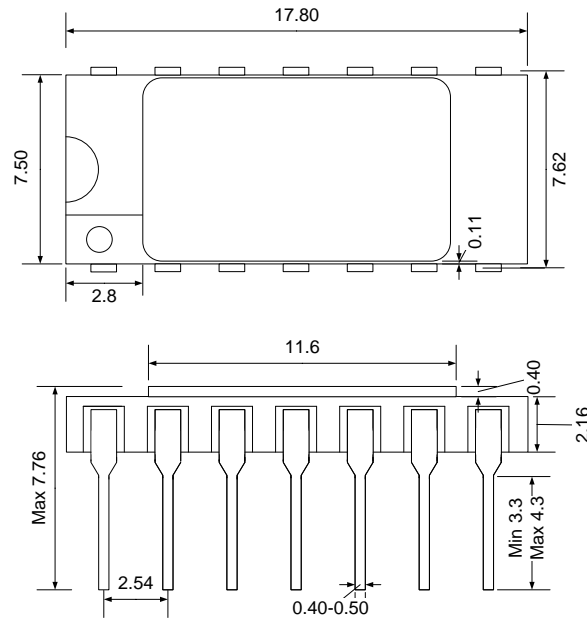


Maximum clock frequency versus  
temperature,  $V_{DD} = 3.3V / 5V$

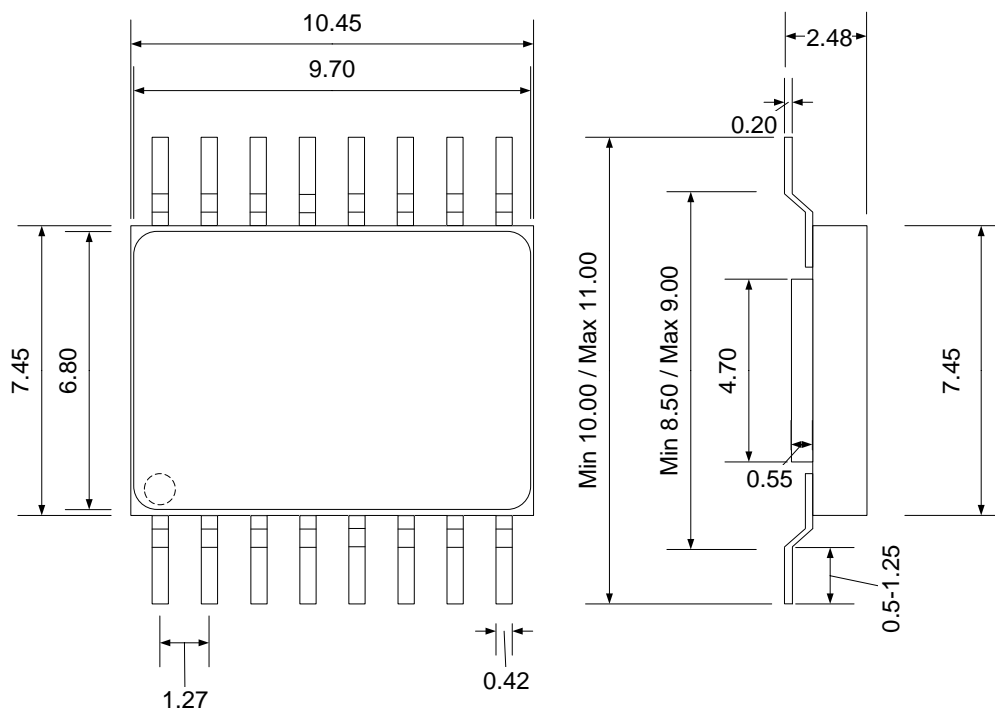
## Ordering Information

Ordering Reference	Package	Temperature Range	Marking	Status
CHT-7474-CDIL14-T	Ceramic DIL14	-55°C to +225°C	CHT-7474	Not for new design
CHT-7474-CSOIC16-T	Ceramic SOIC16	-55°C to +225°C	CHT-7474	

## Package Dimensions



*Drawing CDIL14 (mm +/- 10%)*



*Drawing CSOIC16 (mm +/- 10%)*

## Contact & Ordering

CISSOID S.A.

<b>Headquarters and contact EMEA:</b>	CISSOID S.A. – Rue Francqui, 11 – 1435 Mont Saint Guibert - Belgium T : +32 10 48 92 10 - F: +32 10 88 98 75 Email: <a href="mailto:sales@cissoid.com">sales@cissoid.com</a>
<b>Representatives</b>	Visit our website: <a href="http://www.cissoid.com">www.cissoid.com</a>

## Disclaimer

*Neither CISSOID, nor any of its directors, employees or affiliates make any representations or extend any warranties of any kind, either express or implied, including but not limited to warranties of merchantability, fitness for a particular purpose, and the absence of latent or other defects, whether or not discoverable. In no event shall CISSOID, its directors, employees and affiliates be liable for direct, indirect, special, incidental or consequential damages of any kind arising out of the use of its circuits and their documentation, even if they have been advised of the possibility of such a damage. The circuits are provided "as is". CISSOID has no obligation to provide maintenance, support, updates, or modifications.*